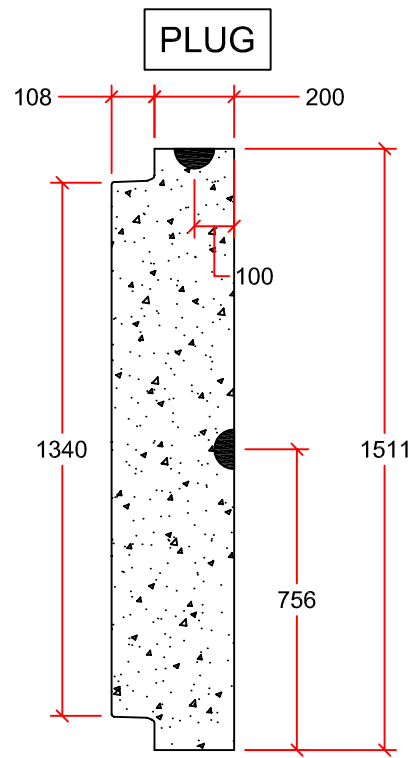
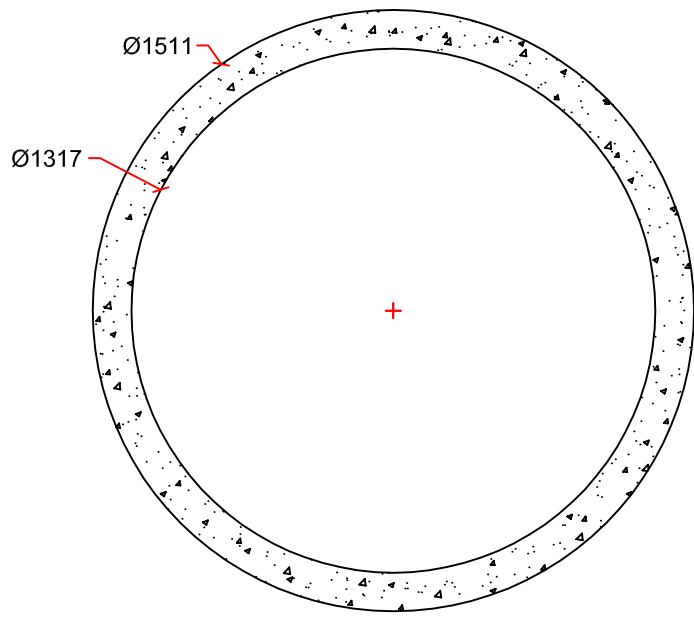


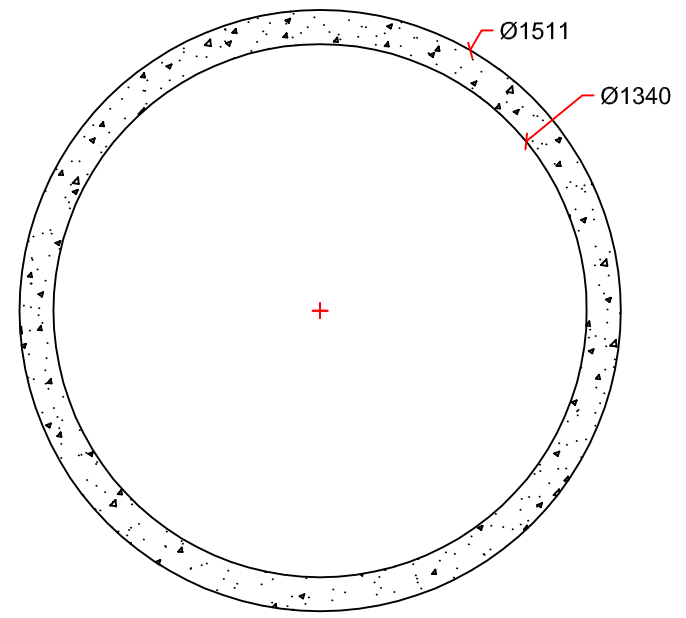
PROFILE VIEW



PROFILE VIEW

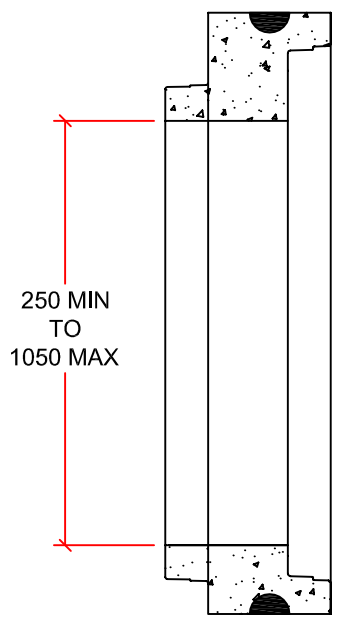


SECTION DETAIL



SECTION DETAIL

ADAPTORS



DECREASER



INCREASER

DRAWN BY:	LUCAS STEFAN	Ø1200mm PCA (SAB)	INLAND Pipe
SCALE:	NTS		
DATE:	NOVEMBER 16, 2015	(2) 4T SWIFT LIFTS ON EACH APPROX. MASS: CAP:972 kg PLUG:1227 kg DIMENSIONS IN mm	7336 112th AVE. NW. CALGARY, AB. PH: 403 279-5531 FAX: 403 279-7648
DRAWING #:	Ø1200 PCA (SAB)		
REVISION #:	REV. 1		
CHECKED BY:	TYSON DYCK		