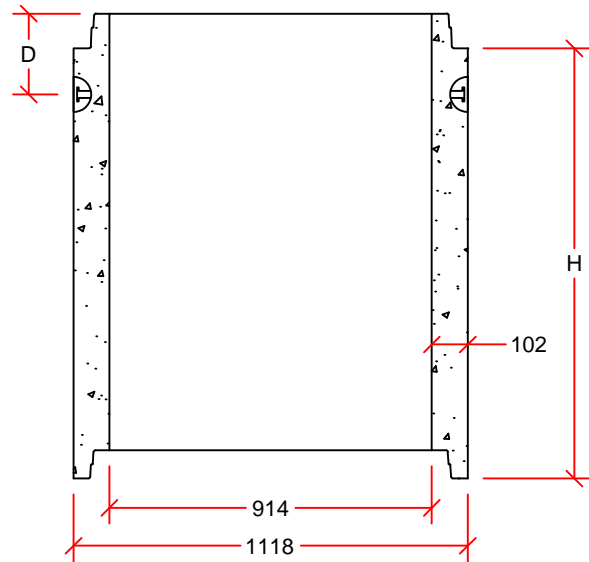


CATCH BASINS AVAILABLE IN  
1.22m AND 1.7m HEIGHTS



BARRELS AVAILABLE IN  
0.46m AND 1.22M HEIGHTS

CB HEIGHT (H) (mm)	BARREL HEIGHT (H) (mm)	HOLE OPTIONS (A) (mm)	PIPE	APPROX. MASS (kg)	NUMBER OF PINS	LOAD RATING	D (MM)
1.22	-	375 ROUGH CUT	250 ULTRA-RIB	1400	2	4T	305
1.22	-	375 PARTIAL KNOCKOUT	ANY	1400	2	4T	305
1.7	-	400 (16") CORE C/W BOOT	300 SDR	1870	2	4T	406
1.7	-	400 (16") CORE C/W BOOT	250 SDR	1870	2	4T	406
1.7	-	375 ROUGH CUT	250 ULTRA-RIB	1870	2	4T	406
1.7	-	300 ROUGH CUT	200 ULTRA-RIB	1870	2	4T	406
1.7	-	375 PARTIAL KNOCKOUT	ANY	1870	2	4T	406
-	0.46	-	-	357	2	4T	200
-	1.22	-	-	1005	2	4T	305

DRAWN BY:	LUCAS STEFAN
SCALE:	NTS
DATE:	NOVEMBER 20, 2015
DRAWING #:	900mm CATCH BASIN
REVISION #:	Rev. 1
CHECKED BY:	TYSON DYCK

900mm CATCH BASIN	
DIMENSIONS IN mm (2) 4T LIFTS PINS PROVIDED AS SHOWN	

***INLAND***  
**Pipe**

7336 112th AVE. NW. CALGARY, AB.  
PH: 403 279-5531 FAX: 403 279-7648