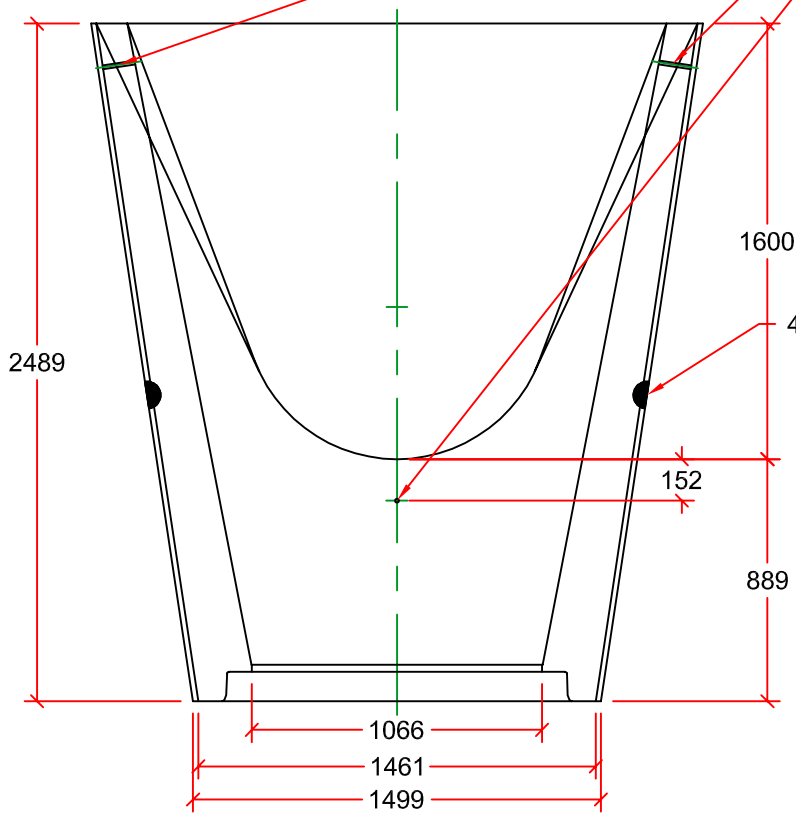
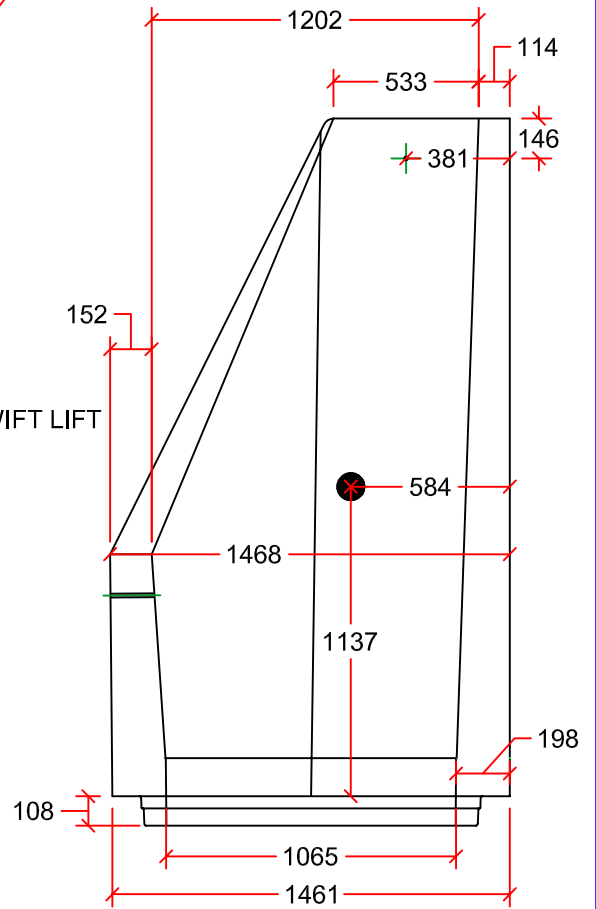


CROSS SECTION

Ø14mm HOLES IN FORM FOR GRATE PINS (3 REQ'D)



OUTLET SECTION



INLET SECTION

DRAWN BY:	LUCAS STEFAN
SCALE:	NTS
DATE:	NOVEMBER 4, 2015
DRAWING #:	Ø1050mm FLARED END
REVISION #:	REV. 1
CHECKED BY:	TYSON DYCK

Ø1050mm FLARED END
(2) 4T LIFTING PINS ON SIDES APPROXIMATE MASS: 4,660 kg DIMENSIONS IN mm

INLAND
Pipe

7336 112th AVE. NW. CALGARY, AB.
PH: 403 279-5531 FAX: 403 279-7648