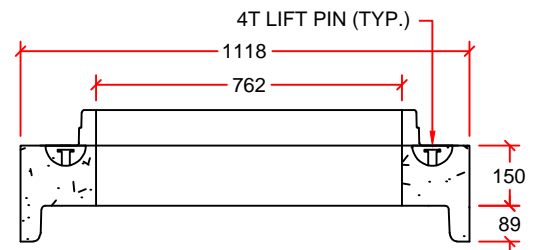
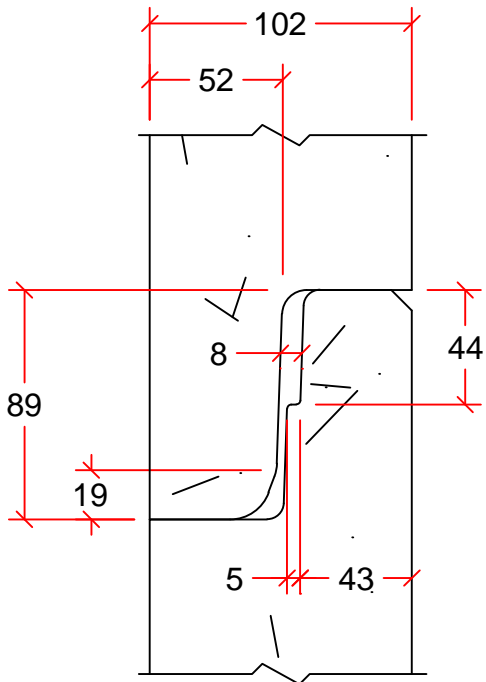


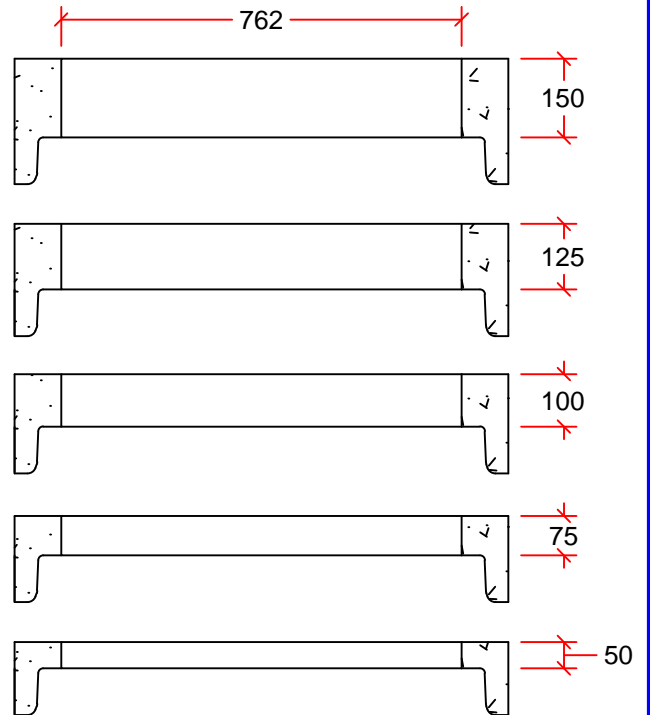
900mm SLAB TOP W/ 620mm SQUARE OPENING



900mm SLAB TOP W/ 762mm ROUND OPENING



900mm CB JOINT DETAIL



750mm ADJUSTING RINGS W/ GROOVES

DRAWN BY:	SAM HAN	900mm CATCH BASIN SLAB TOPS	<b>INLAND</b> Pipe
SCALE:	NTS		
DATE:	NOVEMBER 18, 2015		
DRAWING #:	900mm CB SLAB TOPS		
REVISION #:	REV. 1		
CHECKED BY:	TYSON DYCK	DIMENSIONS IN mm	
			2494 FERRIER ST. WINNIPEG, MB. PH: 204 334-4300 FAX: 204 334-7957