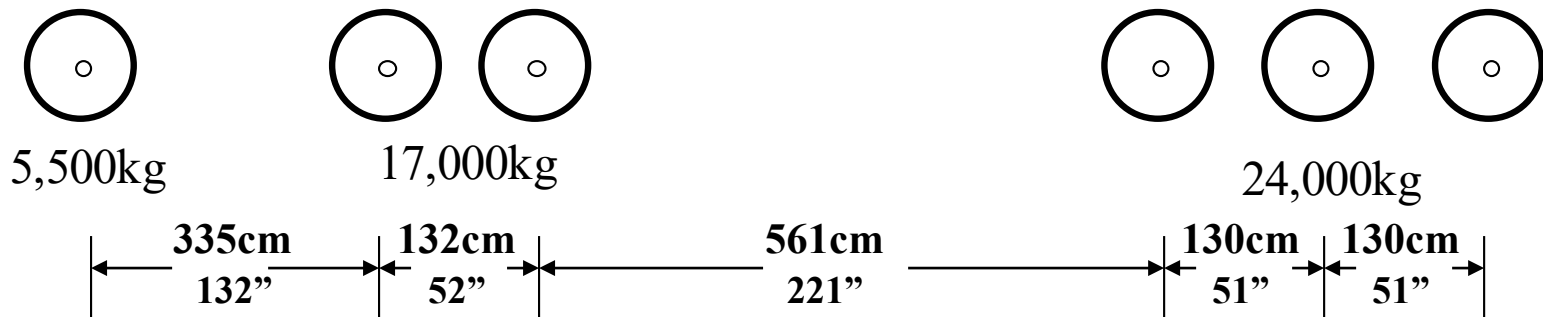


# Ocean Concrete Tridem Trailer GVW 46,500kg



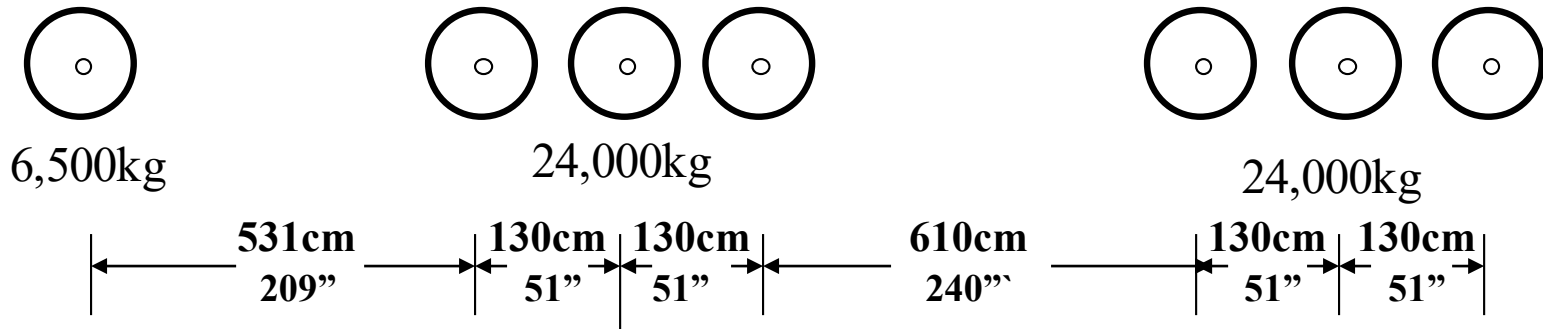
Capacity: 12.0 cubic metres

Length to end of flop-over chute: 15.34Mtr (50'4")

Width: 2.74Mtr (9') – with mirrors 3.12Mtr (10'3")

Height: 3.78Mtr (12'5")

# Ocean Concrete Tridem Tridem Trailer GVW 54,500kg



Capacity: 14.0 cubic metres

Length to end of flop-over chute: 19.82Mtr (65')

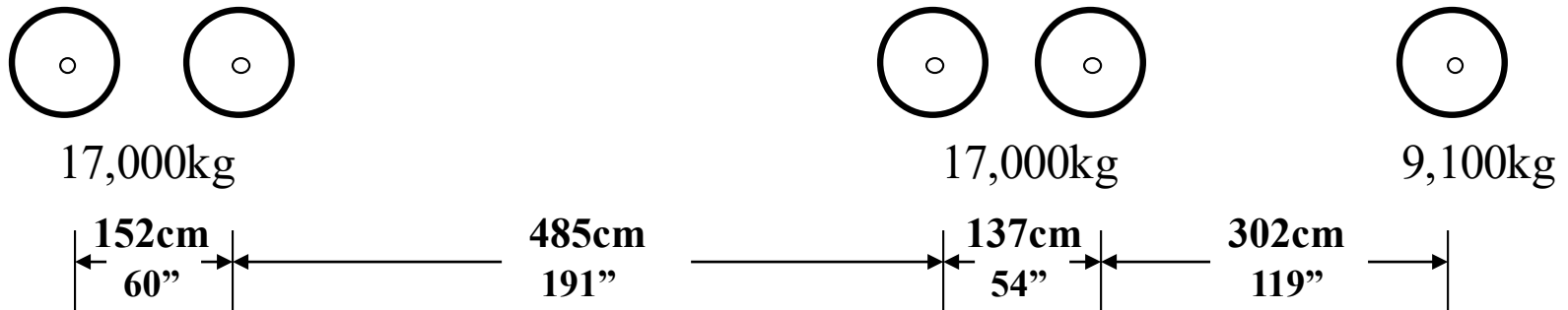
Width: 2.74Mtr (9') – with mirrors 3.12Mtr (10'3")

Height: 3.78Mtr (12'5")

# Ocean Concrete Tandem-Tandem Booster

GVW 43,100kg

## Booster Down:



## Booster Up:



Capacity: 10.4 cubic metres

Length to end of flop-over chute: 11.58 - 12.07Mtr (38' - 39'7")

Width: 2.69Mtr (8'10") – with mirrors 3.05 - 3.27Mtr (10' - 10'9")

Height: 3.81 - 3.86Mtr (12'5" - 12'8")

Diameter of Turning Radius: 28.05 - 33.99Mtr (92' - 111'6")