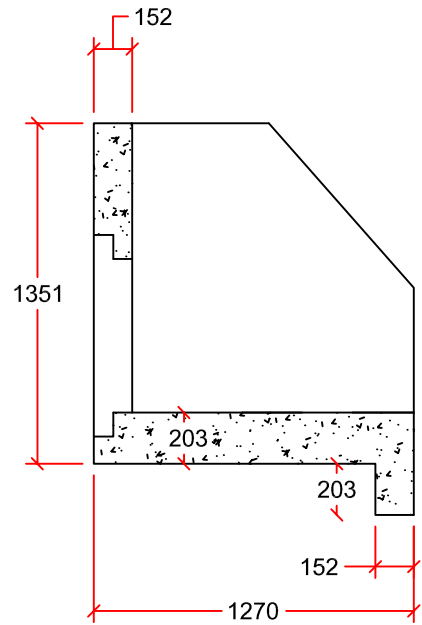
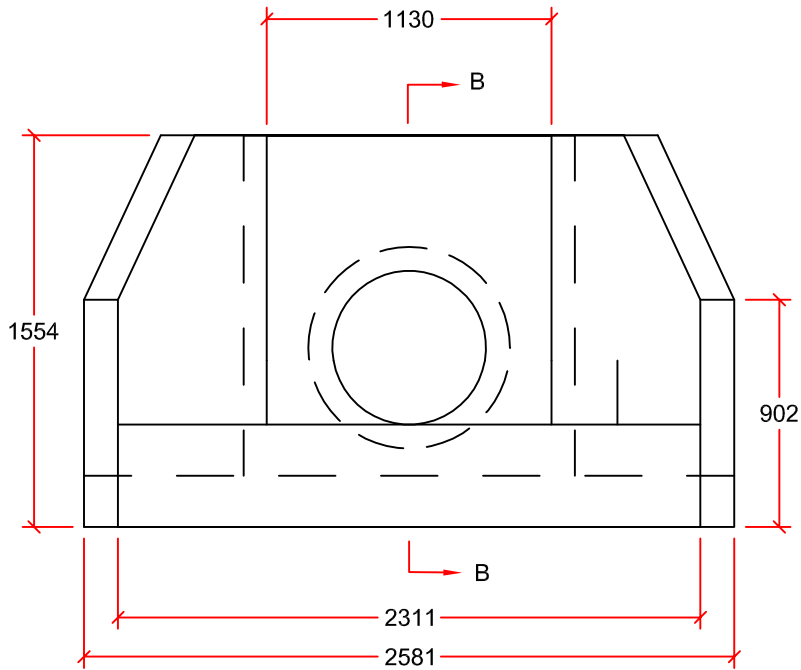



SECTION A-A



SECTION B-B

DRAWN BY:	AARON KLEMETS	TYPE 11-13 HEADWALL (TYP)	
SCALE:	NTS		
DATE:	NOVEMBER 23, 2015	ALL DIMENSIONS IN mm FOR UP TO Ø600MM PIPE TWO 4T LIFT PINS PROVIDED AS SHOWN BOLT ON GALVANIZED GRILL AVAILABLE APPROXIMATE MASS: 2760 kg	
DRAWING #:	T1113 HW (TYP)		
REVISION #:	REV. 0		
CHECKED BY:	TYSON DYCK	9265 OAK ST. VANCOUVER B.C. PH: 604 269-6700 FAX: 604 261-6751	