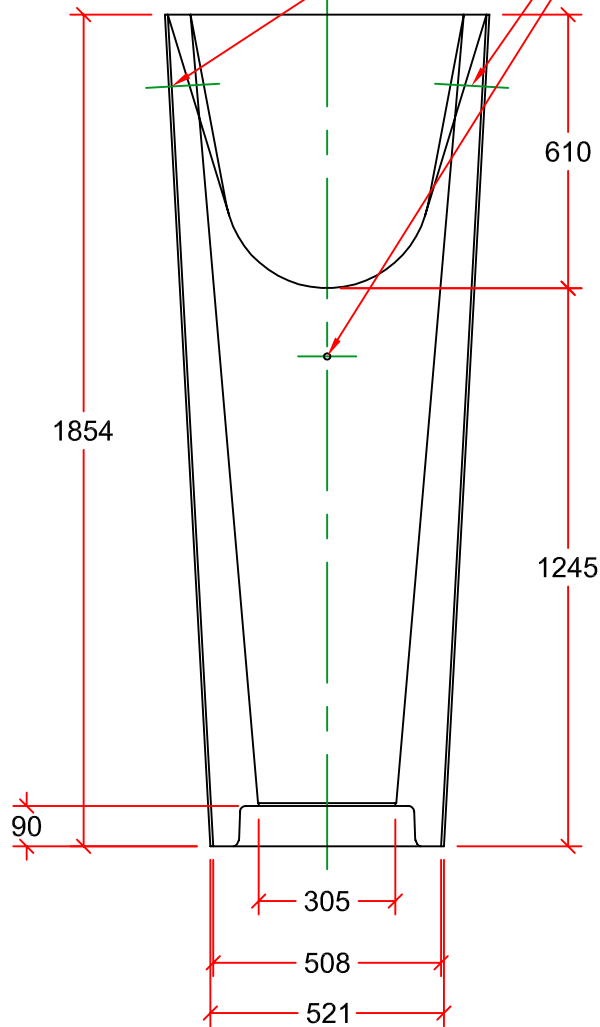
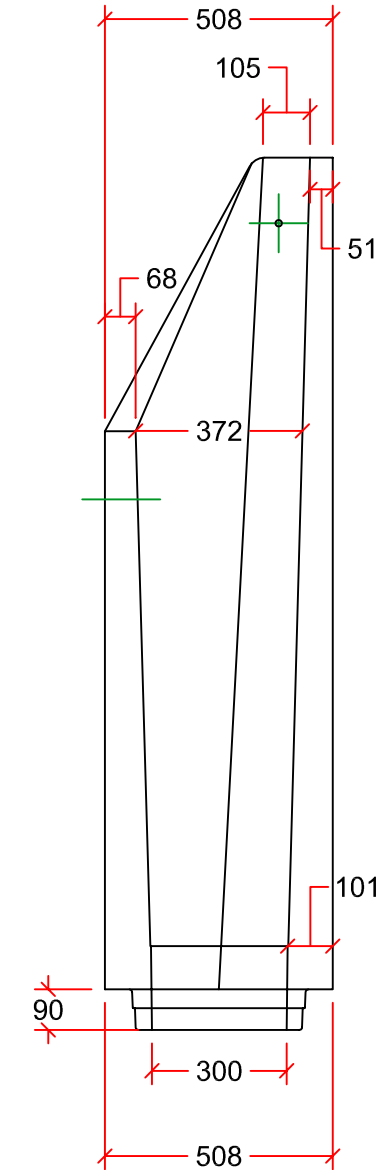


CROSS SECTION



OUTLET SECTION



INLET SECTION

DRAWN BY:	LUCAS STEFAN	Ø300mm FLARED END	
SCALE:	NTS		
DATE:	NOVEMBER 4, 2015	APPROXIMATE MASS: 570 kg DIMENSIONS IN mm	
DRAWING #:	Ø300mm FLARED END		
REVISION #:	REV. 1		
CHECKED BY:	TYSON DYCK	7336 112th AVE. NW. CALGARY, AB. PH: 403 279-5531 FAX: 403 279-7648	