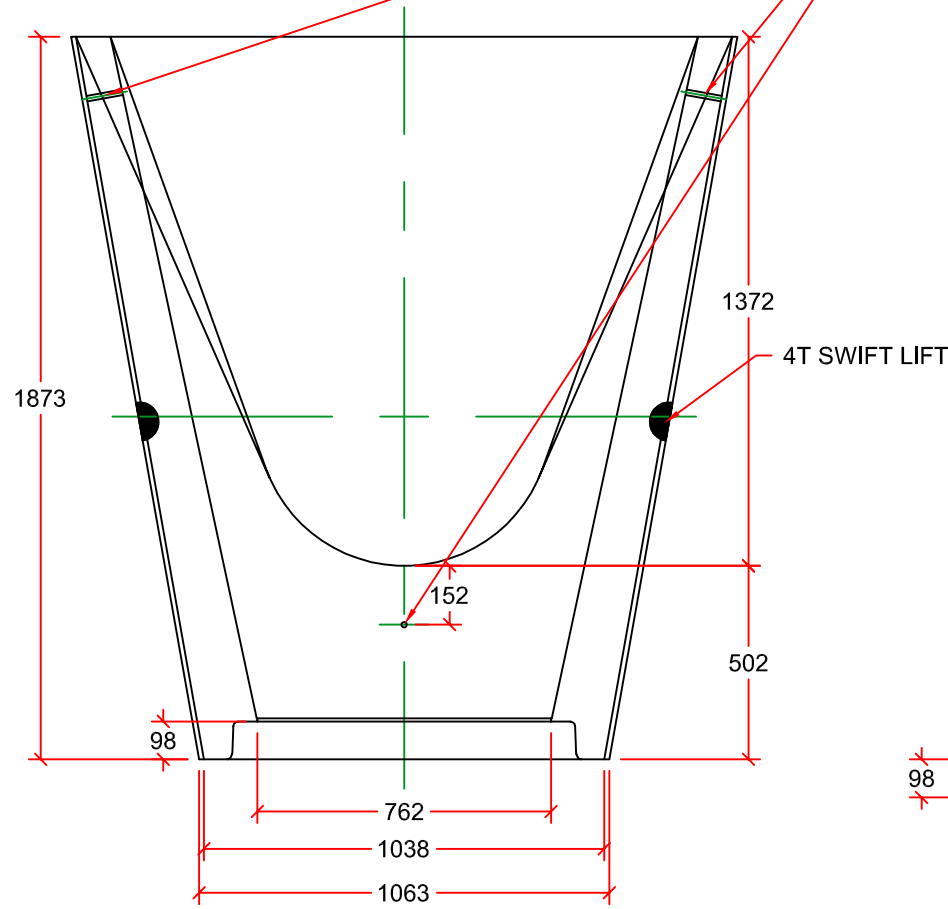
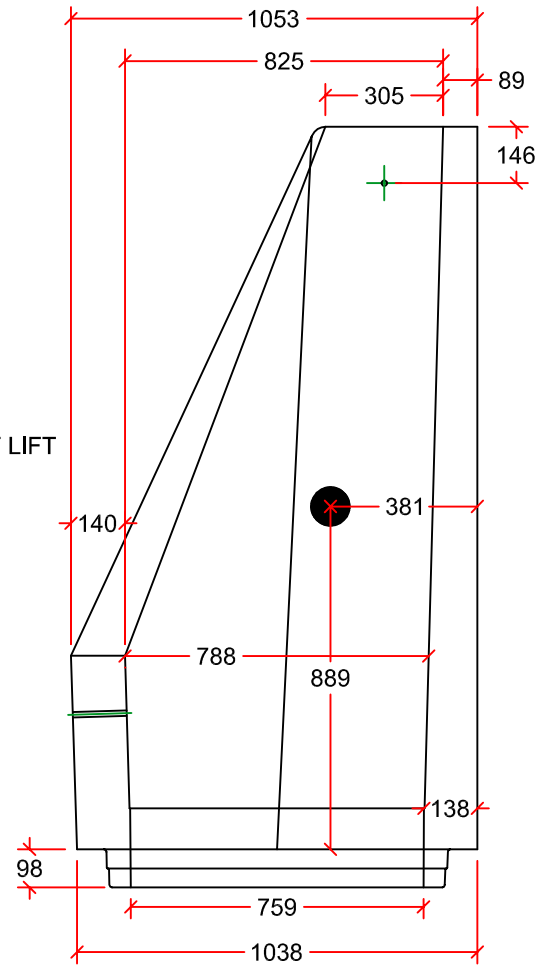


CROSS SECTION



OUTLET SECTION

Ø14mm HOLES IN FORM FOR GRATE PINS (3 REQ'D)



INLET SECTION

DRAWN BY:	LUCAS STEFAN
SCALE:	NTS
DATE:	NOVEMBER 4, 2015
DRAWING #:	Ø750mm FLARED END
REVISION #:	REV. 1
CHECKED BY:	TYSON DYCK

Ø750mm FLARED END
 (2) 4T LIFTING PINS ON SIDES
 APPROXIMATE MASS: 1,800 kg
 DIMENSIONS IN mm

INLAND
Pipe
 7336 112th AVE. NW. CALGARY, AB.
 PH: 403 279-5531 FAX: 403 279-7648